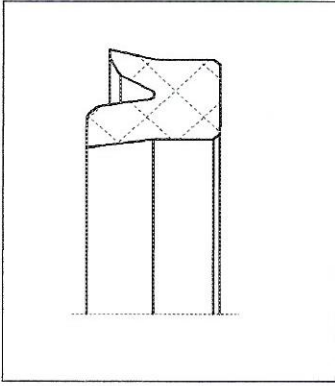


U-PACKING TYPE 0461



This type is applied for sealing pistons and piston rods in pneumatics. In hydraulics it can be used for light applications (low pressures).

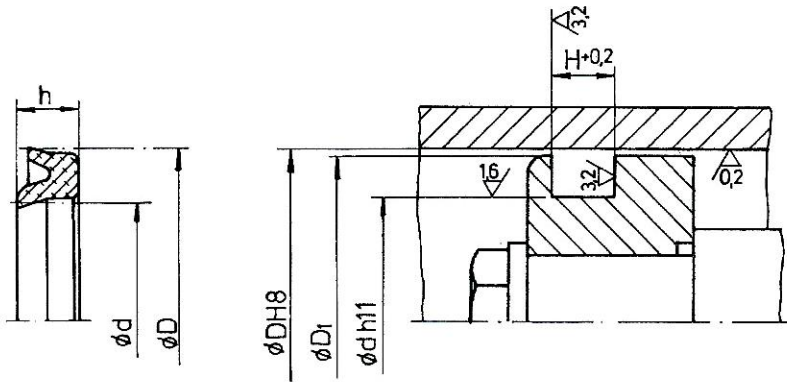
Specific design of sealing (contact) lip provides good sealing effects along with low coefficient of friction.

U-packing types are manufactured from 70 NBR 11.2 | 80 NBR 11.2 elastomers.

Operating conditions are given in the table.

| | |
|-----------------------------|----------------------------|
| Permissible pressure | 1,6 MPa |
| Temperature range | -40 °C up to +80 °C |
| Medium | Air |
| Clearance | 0,5 mm |

LIST OF DIMENSIONS AND INSTALLATION POINTS OF U-PACKING 0461



| Nominal size | $\varnothing D$ | $\varnothing d$ | h | $\varnothing D_1$ | H |
|--------------|-----------------|-----------------|------|-------------------|------|
| 15 | 15 | 7 | 6 | 14 | 6,5 |
| 18 | 18 | 12 | 5 | 17 | 5,5 |
| 22 | 22 | 13 | 6,7 | 21 | 7,2 |
| 25 | 25 | 16 | 6,7 | 24 | 7,2 |
| 26 | 26 | 16 | 7,5 | 25 | 8 |
| 32 | 32 | 22 | 7,5 | 31 | 8 |
| 34 | 34 | 23 | 8,2 | 33 | 9,2 |
| 40 | 40 | 29 | 8,2 | 39 | 9,2 |
| 50 | 50 | 38 | 9 | 49 | 10 |
| 55 | 55 | 42 | 9,7 | 54 | 10,7 |
| 63 | 63 | 50 | 9,7 | 62 | 10,7 |
| 65 | 65 | 51 | 10,5 | 64 | 11,5 |
| 80 | 80 | 66 | 10,5 | 79 | 11,5 |
| 85 | 85 | 70 | 11,2 | 84 | 12,2 |
| 100 | 100 | 85 | 11,2 | 99 | 12,2 |
| 125 | 125 | 109 | 12 | 124 | 13 |
| 160 | 160 | 143 | 12,7 | 158 | 13,7 |
| 200 | 200 | 182 | 13,5 | 198 | 14,5 |
| 250 | 250 | 230 | 15 | 248 | 16 |

Ordering example: cylinder $\varnothing 80$: U-packing 0461 80 70 NBR 11.2