

MG RINGS 0407

Form and application

MG-rings are integral sealing elements with rubber covered peripheral surface, and a metal ring inside of it.

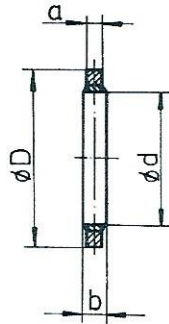


Figure 1

MG-rings are used with screw-tightened connections, and the permissible media are: mineral oil, emulsion oil-water or water-oil, water and air, and the temperature range is -30°C up to $+100^{\circ}\text{C}$.

Materials

With MG-rings used for pressures up to 20 MPa (200 bar) the metal ring is manufactured of a material having the tensile strength 280 N/mm^2 minimum, and for pressures up to 40 MPa (400 bar) of a material having the tensile strength 550 N/mm^2 minimum.

The metal ring is coated with a zinc layer, the thickness of which is $5\mu\text{m}$.

The rubber seal for this application is manufactured of the elastomer 80 NBR 14.1.

For special application, another elastomer can be used.

Installation

The installation of MG-rings is easy and simple. The MG-ring is to be placed so as to be concentric to the screw axis, and the MG-ring size is to be adequate to the screw used.

Fig. 2 gives examples of correct and incorrect installation.

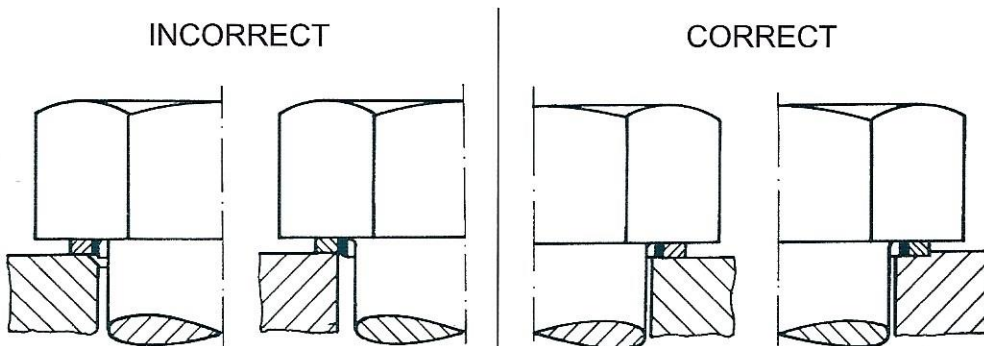


Figure 2

Sizes and installation dimensions

Nominal and other required dimensions, including the required installation dimensions are given in Table 1.

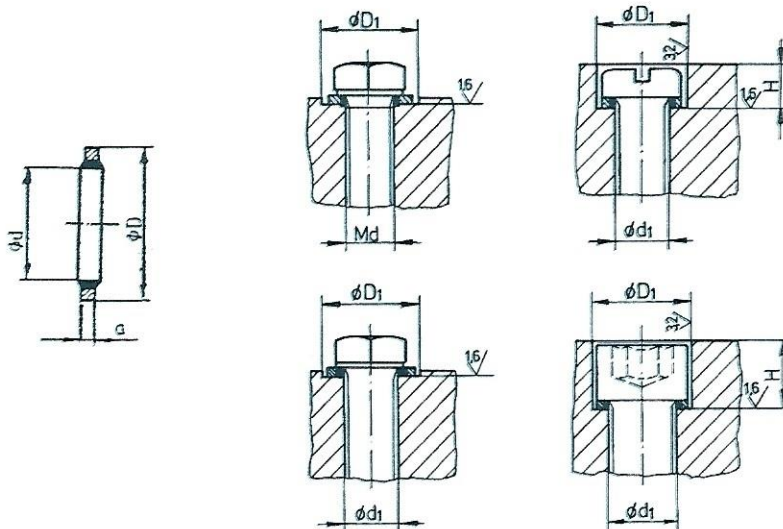


Table 1.

Nominal size	ØD	Ød	a	Md	Ød ₁	Connections by screws JUS MB.1051; JUS MB1.053; JUS MB1.060		Connections by screws JUS MB.103; JUS MB1.120; JUS MB1.124		
						ØD ₁	ØD ₁	H + 0,2		
								JUS MB1 103	JUS MB1 120	JUS MB1 124
7,9	7,9	4,5	1,3	4	4,5	8,5	8	4,1	5,5	-
9	9	5,5	1,3	5	5,5	9,5	9,5	4,9	6,5	4,9
12,8	12,3	6,5	1,3	6	6,5	-	13	5,3	7,5	5,5
14	14	8,5	2	6	6,6	14,5	-	-	-	-
16	16	10,5	2	8	9	16,5	16,5	7,3	10,3	7,3
18	18	12,5	2	10	11	18,5	18,5	8,3	12,3	9
20	20	14,5	2	12	14	20,5	21	-	14,3	10
22	22	16,5	2	14	16	22,5	23	-	16,3	11
26	26	18,5	2,3	16	18	26,5	27	-	18,8	12,8
28	28	20,5	2,3	18	20	28,5	29	-	20,8	13,8
30	30	22,5	2,3	20	22	30,5	32	-	22,8	14,8
35	35	27,5	2,3	22	24	35,5	36	-	24,8	15,8
44	44	33,5	3,2	24	26	35,5	38	-	26,8	16,8
				27	30	44,5	-	-	-	
50	50	39,5	3,2	30	33	-	48	-	34,2	21,2
				33	36	50,5	-	-	-	
60	60	48,5	3,2	36	39	-	57	-	40,2	25,2
				39	42	60,5	-	-	-	
70	70	56,8	3,2	42	45	-	66	-	46,2	-
				45	48	70,5	-	-	-	
85	85	68,8	3,2	48	52	-	-	-	-	-
				52	56	-	-	-	-	
				56	62	85,5	-	-	-	
				60	66	-	-	-	-	

Order example:

MG-ring 0407 7,9 L (T); L - pressure up to 200 bar; T pressure up to 400 bar

