

This type is applied for sealing pistons and piston rods in pneumatics. In hydraulics it can be used for light applications (low pressures).

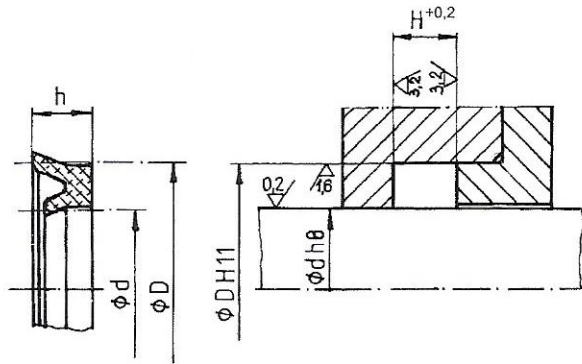
Specific design of sealing (contact) lip provides good sealing effects along with low coefficient of friction.

U-packing types are manufactured from 70 NBR 11.2 | 80 NBR 11.2 elastomers.

Operating conditions are given in the table.

Permissible pressure	1,6 MPa
Temperature range	-40 °C up to +80 °C
Medium	Air
Clearance	0,5 mm

LIST OF DIMENSIONS AND INSTALLATION POINTS OF U-PACKING 0462



Nominal size	ϕD	ϕd	h	H
12	12	20	6	6,5
13	13	23	6	6,5
18	18	28	7,5	8
20	20	30	7,5	8
22	22	32	7,5	8
25	25	36	8,2	9,2
30	30	41	8,2	9,2
32	32	44	9	10
40	40	52	9	10
50	50	63	9,7	10,7
63	63	77	10,5	11,5

Ordering example: piston rod $\phi 50$: U-packing 0462 50 80 NBR 11.2