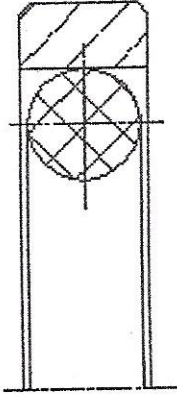


## SEAL SET 0360



Seal set 0360 consists of a ring with rectangular cross section and an O-ring. The ring is manufactured from PTFE materials and it is bronze alloyed, and the O-ring is manufactured from NBR based elastomers with hardness of 70 ShA.

The ring provides good sliding properties along the working surfaces, and the O-ring provides a sufficient initial pressure on the installation point. The seal set is to be installed onto pistons of hydraulic cylinders and provides good sealing performance, exceptional sliding properties and high linear velocity of the seal moving along the cylinder operating surface. The operating conditions for the seal set applications are given in the table below.

### CONDITIONS FOR APPLICATIONS OF SEAL SET 0360

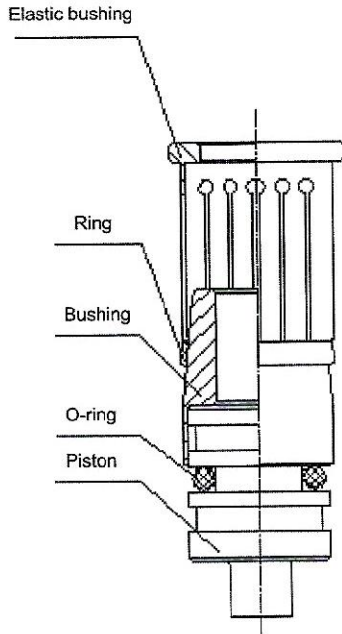
Permissible pressure	40MPa
Temperature range	-30°C up to +100°C
Working medium	Hydraulic oil, type H,HL and HLP, emulsion:oil-water type HFA, emulsion:oil-water, type HFB.
Permissible linear velocity	5 m/s

Order example: Seal set 0360 for a cylinder with a D nominal diameter  
Seal set 0360-D-ident code;  
Seal set 0360-63-1181176

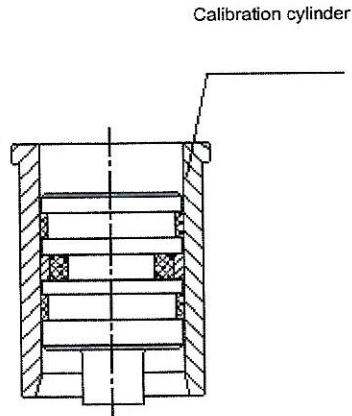
## INSTALLATION OF THE SEAL ONTO THE PISTON

In order to protect the seal 0360 against damage during the installation, proper assembly tools are required. The special tool for installation of the seal onto the piston is given in the figure below. In serial production, after the seal has been installed onto the piston, it is to be calibrated by the calibration cylinder. In case of favourable installation conditions, it is possible to install the seal directly onto the working cylinder. During the installation, attention should be paid to remove sharp edges which may cause damage to the seal being installed.

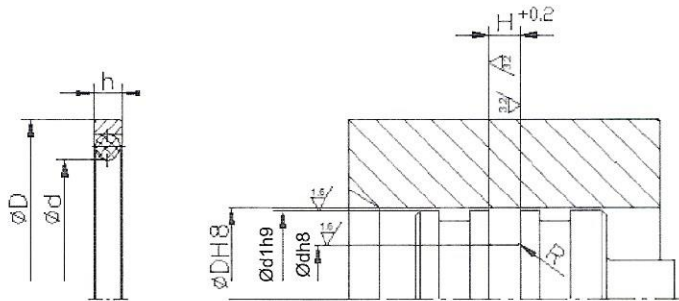
ASSEMBLY TOOL



CALIBRATION TOOL



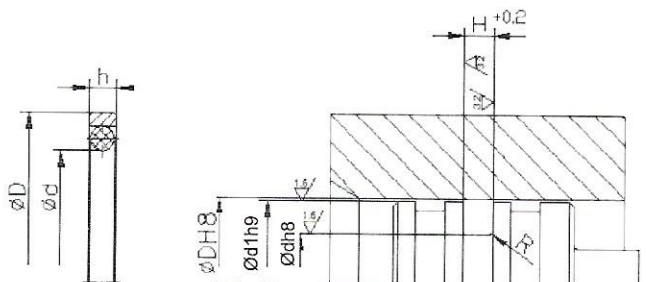
## SEAL SET 0360- Installation point



Nominal size ØD	Ø D	Ø d	Ø d1	H+0.2	R	Ident code
8	8	3.1	7.7	2.2	0.3	7500262
10	10	5.1	9.7	2.2	0.3	7500270
12	12	7.1	11.7	2.2	0.3	0534487
15	15	7.5	14.7	3.2	0.3	7500288
16	16	8.5	14.7	3.2	0.3	1349567
18	18	10.5	17.7	3.2	0.3	7500296
20	20	12.5	19.7	3.2	0.3	7500403
22	22	14.5	21.7	3.2	0.3	7500411
24	24	16.5	23.7	3.2	0.3	7500304
25	25	17.5	24.7	3.2	0.3	8743791
28	28	20.5	27.7	3.2	0.3	7500429
30	30	22.5	29.7	3.2	0.3	1344071
32	32	24.5	31.7	3.2	0.3	8743783
35	35	27.5	34.7	3.2	0.3	9683418
36	36	28.5	37.7	3.2	0.3	7500437
40	40	29	39.6	4.2	0.5	0536029
42	42	31	39.6	4.2	0.5	7500445
45	45	34	44.6	4.2	0.5	1181077
50	50	39	49.6	4.2	0.5	8358251
55	55	44	44.6	4.2	0.5	2222110
56	56	45	55.6	4.2	0.5	7500452
60	60	49	59.6	4.2	0.5	0972778
63	63	52	62.6	4.2	0.5	1181176
65	65	54	64.6	4.2	0.5	7500536
70	70	59	69.6	4.2	0.5	7500312

Order example: Seal set 0360-50-8358251

## SEAL SET 0360- Installation point



Nominal size ØD	Ø D	Ø d	Ø d1	H+0.2	R	Ident code
70	70	54.5	69.5	6.3	1	1183131
75	75	64	74.6	4.5	0.5	9402124
75	75	59.5	74.5	6.3	1	2223688
80	80	64.5	79.5	6.3	0.5	0364513
80	80	59	79.5	8.1	1	1345359
85	85	69.5	84.5	6.3	1	1345490
85	85	64	84.5	8.1	1	7500320
90	90	74.5	89.5	6.3	1	1701007
90	90	69	89.5	8.1	1	7500338
95	95	79.5	94.5	6.3	1	1345219
95	95	74	94.5	8.1	1	2226657
100	100	84.5	99.5	6.3	1	0364547
100	100	79	99.5	8.1	1	7500346
105	105	89.5	104.5	6.3	1	1916233
105	105	84	104.5	8.1	1	7500353
110	110	94.5	109.5	6.3	1	1700975
110	110	89	109.5	8.1	1	7500361
115	115	99.5	114.5	6.3	1	7500460
115	115	94	114.5	8.1	1	2348907
120	120	104.5	119.5	6.3	1	1916191
120	120	99	119.5	8.1	1	7500379
125	125	109.5	124.5	6.3	1	1342034
125	125	104	124.5	8.1	1	2224793
130	130	114.5	129.5	6.3	1	7500395
130	130	114.5	129.5	8.1	1	7500387

Order example: Seal set 0360-100-75000346

